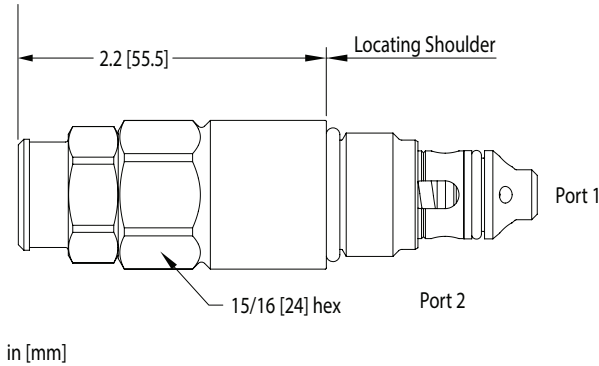
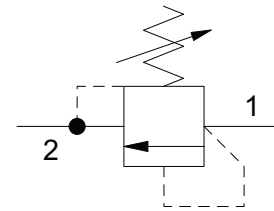


Sun Common RDUA Relief Valve Assembly Option for Manifolds



Sun Common Valve Application Chart	
Manifolds	
*D03P****/C	RDUA-L*N
*D03S****/C	RDUA-L*N
*D05P****/C	RDUA-L*N



Note: Any technical or performance questions should be addressed to Sun or one of their authorized distributors. [See Sun website.](#)

Warning: The adjustment mechanism under the tamper-resistant cap can be fully uninstalled while the valve is in the cavity, exposing the user to full system pressure. [See datasheet.](#)

Ordering Information

Manifold with valve assembled

Manifold P/N	—	Model	Range
--------------	---	-------	-------

Example order, manifold / valve assemblies:

AD03S032S/C-RDUALBN
DD05P055B/C-RDUALAN

Sun Model Code	
RDUA	Cavity C10-2 0 to 10 GPM

Adjustment Range	
LAN	1750 to 3625 psi 2200 std. setting
LBN	580 to 2030 psi 725 std. setting
**LCN	3200 to 5950 psi 3600 std. setting

** Not for assembly in Aluminum Manifolds

Valve shipped loose with manifold

999*	—	Model	Range
------	---	-------	-------

Example order, valve only:

999-RDUALAN

Sun Model Code	
RDUA	Cavity C10-2 0 to 10 GPM

Adjustment Range	
LAN	1750 to 3625 psi 2200 std. setting
LBN	580 to 2030 psi 725 std. setting
**LCN	3200 to 5950 psi 3600 std. setting

* Loose valves must be ordered with manifold products on same P.O.

** Not for assembly in Aluminum Manifolds