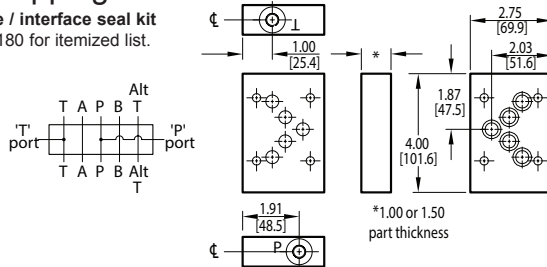


D05 Tapping Plates

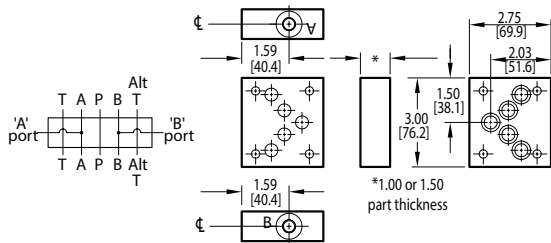
P and T Port Tapping Plate

Tapping Plate hardware / interface seal kit is supplied. See page 180 for itemized list.



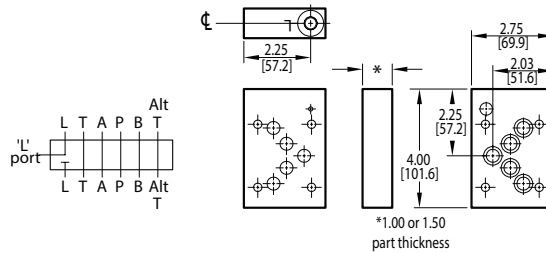
A and B Port Tapping Plate

Tapping Plate hardware / interface seal kit is supplied. See page 180 for itemized list.



L Port Tapping Plate

Tapping Plate interface seal kit is supplied. See page 180 for itemized list.



Specifications, descriptions, and dimensional data are subject to correction or change without notice or incurring obligation. Download latest catalog page revisions at www.daman.com.

Ordering Information

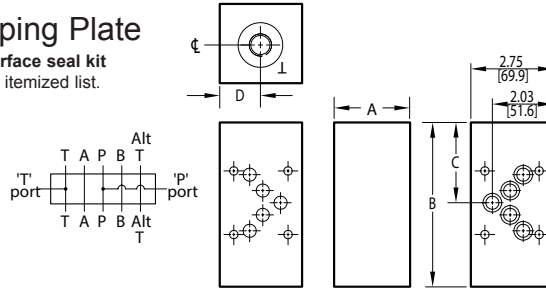
For **coating options** see pages 245-246.

Material	Valve Pattern	Product Type	Circuit	Port Threads	Thickness																																										
<table border="1"> <thead> <tr> <th colspan="2">Material</th> </tr> </thead> <tbody> <tr> <td>A</td> <td>Aluminum - 6061-T6 3000[†] psi • 20.7 MPa</td> </tr> <tr> <td>D</td> <td>Ductile Iron - D4512 5000[†] psi • 34.5 MPa</td> </tr> <tr> <td colspan="2"> [†] Working pressure should be considered in accordance with ISO 4413 to determine appropriate material type. </td> </tr> </tbody> </table>	Material		A	Aluminum - 6061-T6 3000 [†] psi • 20.7 MPa	D	Ductile Iron - D4512 5000 [†] psi • 34.5 MPa	[†] Working pressure should be considered in accordance with ISO 4413 to determine appropriate material type.		<table border="1"> <thead> <tr> <th colspan="2">Valve Pattern</th> </tr> </thead> <tbody> <tr> <td>D05</td> <td>ISO 4401-05-04 NFFA T3.5.1-D05 See Tech Infomation</td> </tr> </tbody> </table>	Valve Pattern		D05	ISO 4401-05-04 NFFA T3.5.1-D05 See Tech Infomation	<table border="1"> <thead> <tr> <th colspan="2">Product Type</th> </tr> </thead> <tbody> <tr> <td>TP</td> <td>Tapping Plate</td> </tr> </tbody> </table>	Product Type		TP	Tapping Plate	<table border="1"> <thead> <tr> <th colspan="2">Circuit</th> </tr> </thead> <tbody> <tr> <td>PT</td> <td>P and T ports provided</td> </tr> <tr> <td>AB</td> <td>A and B ports provided</td> </tr> <tr> <td>L</td> <td>L port provided</td> </tr> </tbody> </table>	Circuit		PT	P and T ports provided	AB	A and B ports provided	L	L port provided	<table border="1"> <thead> <tr> <th colspan="2">Port Threads</th> </tr> </thead> <tbody> <tr> <td>4P</td> <td>0.25-18 NPTF ANSI B1.20.3</td> </tr> <tr> <td>4S</td> <td>-4 SAE ISO 11926; SAE 1926</td> </tr> <tr> <td>4B</td> <td>0.25-19 BSPP ISO 1179; BS 2779</td> </tr> <tr> <td>4M</td> <td>M10 x 1.0 ISO 6149</td> </tr> <tr> <td>4T</td> <td>0.25-19 BSPT ISO 7; BS 21</td> </tr> </tbody> </table> <p>For larger ports, see next page (p. 161.1).</p>	Port Threads		4P	0.25-18 NPTF ANSI B1.20.3	4S	-4 SAE ISO 11926; SAE 1926	4B	0.25-19 BSPP ISO 1179; BS 2779	4M	M10 x 1.0 ISO 6149	4T	0.25-19 BSPT ISO 7; BS 21	<table border="1"> <thead> <tr> <th colspan="2">Thickness</th> </tr> </thead> <tbody> <tr> <td>150</td> <td>For 1.5" thickness</td> </tr> <tr> <td colspan="2">OMIT for standard 1" thickness</td> </tr> </tbody> </table>	Thickness		150	For 1.5" thickness	OMIT for standard 1" thickness	
Material																																															
A	Aluminum - 6061-T6 3000 [†] psi • 20.7 MPa																																														
D	Ductile Iron - D4512 5000 [†] psi • 34.5 MPa																																														
[†] Working pressure should be considered in accordance with ISO 4413 to determine appropriate material type.																																															
Valve Pattern																																															
D05	ISO 4401-05-04 NFFA T3.5.1-D05 See Tech Infomation																																														
Product Type																																															
TP	Tapping Plate																																														
Circuit																																															
PT	P and T ports provided																																														
AB	A and B ports provided																																														
L	L port provided																																														
Port Threads																																															
4P	0.25-18 NPTF ANSI B1.20.3																																														
4S	-4 SAE ISO 11926; SAE 1926																																														
4B	0.25-19 BSPP ISO 1179; BS 2779																																														
4M	M10 x 1.0 ISO 6149																																														
4T	0.25-19 BSPT ISO 7; BS 21																																														
Thickness																																															
150	For 1.5" thickness																																														
OMIT for standard 1" thickness																																															

D05 Tapping Plates - Large Ports

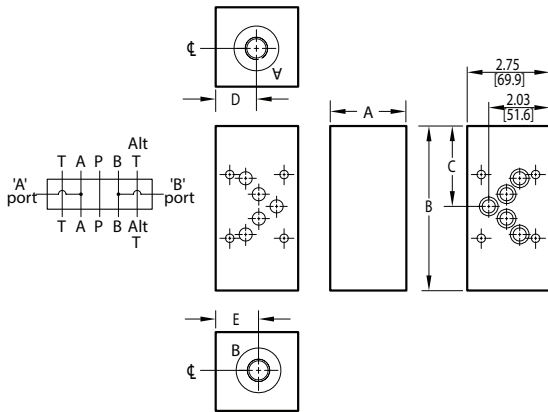
P and T Port Tapping Plate

Tapping Plate hardware / interface seal kit is supplied. See page 180 for itemized list.



A and B Port Tapping Plate

Tapping Plate hardware / interface seal kit is supplied. See page 180 for itemized list.



Dimension	A	B	C	D	E
D05TPPT6	2.00 [50.8]	5.63 [143.0]	2.75 [69.9]	1.06 [26.9]	1.56 [39.6]
D05TPAB6	2.00 [50.8]	5.63 [143.0]	2.75 [69.9]	1.63 [41.4]	1.63 [41.4]
D05TPPT8	2.50 [63.5]	5.63 [143.0]	2.75 [69.9]	1.06 [26.9]	1.56 [39.6]
D05TPAB8	2.50 [63.5]	5.63 [143.0]	2.75 [69.9]	1.63 [41.4]	1.63 [41.4]
D05TPPT12	3.00 [76.2]	5.63 [143.0]	2.75 [69.9]	1.06 [26.9]	1.56 [39.6]
D05TPAB12	3.00 [76.2]	5.63 [143.0]	2.75 [69.9]	1.63 [41.4]	1.63 [41.4]

Ordering Information

For coating options see pages 245-246.



Material	
A	Aluminum - 6061-T6 3000† psi • 20.7 MPa
D	Ductile Iron - D4512 5000† psi • 34.5 MPa

† Working pressure should be considered in accordance with ISO 4413 to determine appropriate material type.

Product Type	
TP	Tapping Plate

Valve Pattern	
D05	ISO 4401-05-04 NFPA T3.5.1-D05 See Tech Information

Circuit	
PT	P and T ports provided
AB	A and B ports provided

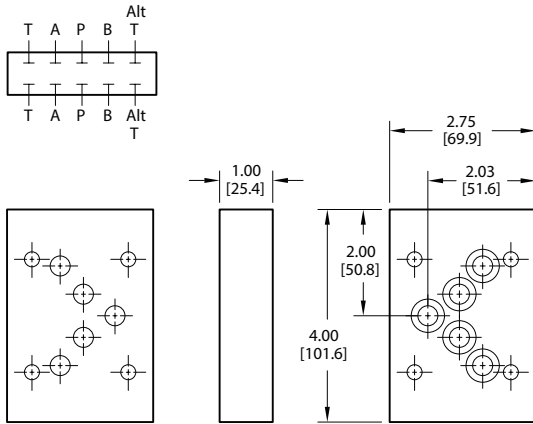
Port Threads			
6P	0.38-18 NPTF ANSI B1.20.3	8P	0.50-14 NPTF ANSI B1.20.3
6S	-6 SAE ISO 11926; SAE 1926	8S	-8 SAE ISO 11926; SAE 1926
6B	0.38-19 BSPP ISO 1179; BS 2779	8B	0.50-14 BSPP ISO 1179; BS 2779
6M	M14 x 1.5 ISO 6149	8M	M18 x 1.5 ISO 6149
6T	0.38-19 BSPT ISO 7; BS 21	8T	0.50-14 BSPT ISO 7; BS 21
12P	0.75-14 NPTF ANSI B1.20.3	12S	-12 SAE ISO 11926; SAE 1926
12B	0.75-14 BSPP ISO 1179; BS 2779	12M	M27 x 2.0 ISO 6149
12T	0.75-14 BSPT ISO 7; BS 21		

For smaller ports, see previous page (p. 161).

D05 Tapping Plates

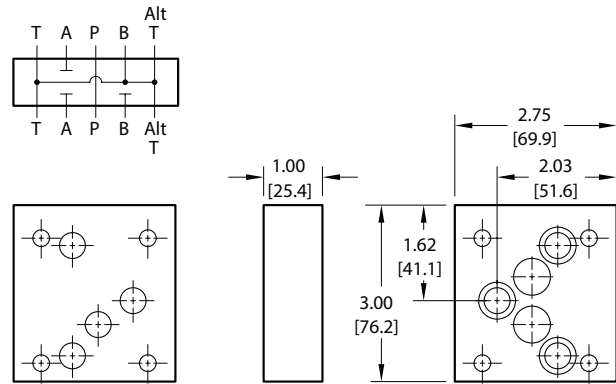
Spot Drilled Tapping Plate

Tapping Plate interface seal kit is supplied.
See page 180 for itemized list.



B to T vent Tapping Plate

Tapping Plate interface seal kit is supplied.
See page 180 for itemized list.



Specifications, descriptions, and dimensional data are subject to correction or change without notice or incurring obligation. Download latest catalog page revisions at www.daman.com.

Ordering Information

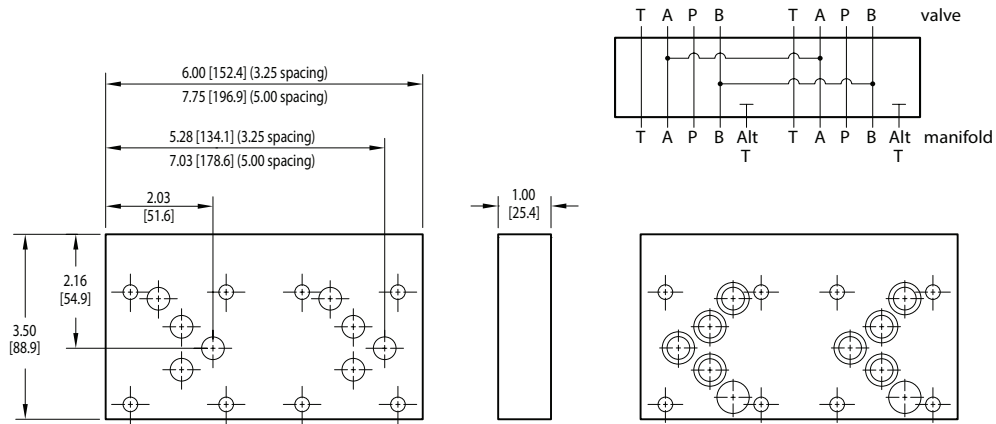
Material	Valve Pattern	Product Type	Circuit																						
<table border="1"> <thead> <tr> <th colspan="2">Material</th> </tr> </thead> <tbody> <tr> <td>A</td> <td>Aluminum - 6061-T6 3000[†] psi • 20.7 MPa</td> </tr> <tr> <td>D</td> <td>Ductile Iron - D4512 5000[†] psi • 34.5 MPa</td> </tr> <tr> <td colspan="2"> [†] Working pressure should be considered in accordance with ISO 4413 to determine appropriate material type. </td> </tr> </tbody> </table>	Material		A	Aluminum - 6061-T6 3000 [†] psi • 20.7 MPa	D	Ductile Iron - D4512 5000 [†] psi • 34.5 MPa	[†] Working pressure should be considered in accordance with ISO 4413 to determine appropriate material type.		<table border="1"> <thead> <tr> <th colspan="2">Valve Pattern</th> </tr> </thead> <tbody> <tr> <td>D05</td> <td>ISO 4401-05-04 NFPA T3.5.1-D05 See Tech Infomation</td> </tr> </tbody> </table>	Valve Pattern		D05	ISO 4401-05-04 NFPA T3.5.1-D05 See Tech Infomation	<table border="1"> <thead> <tr> <th colspan="2">Product Type</th> </tr> </thead> <tbody> <tr> <td>TP</td> <td>Tapping Plate</td> </tr> </tbody> </table>	Product Type		TP	Tapping Plate	<table border="1"> <thead> <tr> <th colspan="2">Circuit</th> </tr> </thead> <tbody> <tr> <td>SD</td> <td>Spot drilled ports</td> </tr> <tr> <td>BTV</td> <td>B to T vent plate</td> </tr> </tbody> </table>	Circuit		SD	Spot drilled ports	BTV	B to T vent plate
Material																									
A	Aluminum - 6061-T6 3000 [†] psi • 20.7 MPa																								
D	Ductile Iron - D4512 5000 [†] psi • 34.5 MPa																								
[†] Working pressure should be considered in accordance with ISO 4413 to determine appropriate material type.																									
Valve Pattern																									
D05	ISO 4401-05-04 NFPA T3.5.1-D05 See Tech Infomation																								
Product Type																									
TP	Tapping Plate																								
Circuit																									
SD	Spot drilled ports																								
BTV	B to T vent plate																								

For coating options
see pages 245-246.

D05 Tapping Plates

D05 Two Station Tapping Plate A₁ common to A₂, B₁ common to B₂

Tapping Plate interface seal kit is supplied.
See page 180 for itemized list.



Specifications, descriptions, and dimensional data are subject to correction or change without notice or incurring obligation. Download latest catalog page revisions at www.daman.com.

Ordering Information

For **coating options** see pages 245-246.

Material	Valve Pattern	Product Type	No. of Stations	Valve Spacing	Circuit																														
<table border="1"> <thead> <tr> <th colspan="2">Material</th> </tr> </thead> <tbody> <tr> <td>A</td> <td>Aluminum - 6061-T6 3000[†] psi • 20.7 MPa</td> </tr> <tr> <td>D</td> <td>Ductile Iron - D4512 5000[†] psi • 34.5 MPa</td> </tr> <tr> <td colspan="2">[†] Working pressure should be considered in accordance with ISO 4413 to determine appropriate material type.</td> </tr> </tbody> </table>	Material		A	Aluminum - 6061-T6 3000 [†] psi • 20.7 MPa	D	Ductile Iron - D4512 5000 [†] psi • 34.5 MPa	[†] Working pressure should be considered in accordance with ISO 4413 to determine appropriate material type.		<table border="1"> <thead> <tr> <th colspan="2">Valve Pattern</th> </tr> </thead> <tbody> <tr> <td>D05</td> <td>ISO 4401-05-04 NFPA T3.5.1-D05 See Tech Information</td> </tr> </tbody> </table>	Valve Pattern		D05	ISO 4401-05-04 NFPA T3.5.1-D05 See Tech Information	<table border="1"> <thead> <tr> <th colspan="2">Product Type</th> </tr> </thead> <tbody> <tr> <td>TP</td> <td>Tapping Plate</td> </tr> </tbody> </table>	Product Type		TP	Tapping Plate	<table border="1"> <thead> <tr> <th colspan="2">No. of Stations</th> </tr> </thead> <tbody> <tr> <td>02</td> <td>02 Stations</td> </tr> </tbody> </table>	No. of Stations		02	02 Stations	<table border="1"> <thead> <tr> <th colspan="2">Valve Spacing</th> </tr> </thead> <tbody> <tr> <td>3</td> <td>3.25 inch 82.6 mm</td> </tr> <tr> <td>5</td> <td>5.00 inch 127.0 mm</td> </tr> </tbody> </table>	Valve Spacing		3	3.25 inch 82.6 mm	5	5.00 inch 127.0 mm	<table border="1"> <thead> <tr> <th colspan="2">Circuit</th> </tr> </thead> <tbody> <tr> <td>AB</td> <td>A1 common to A2 B1 common to B2</td> </tr> </tbody> </table>	Circuit		AB	A1 common to A2 B1 common to B2
Material																																			
A	Aluminum - 6061-T6 3000 [†] psi • 20.7 MPa																																		
D	Ductile Iron - D4512 5000 [†] psi • 34.5 MPa																																		
[†] Working pressure should be considered in accordance with ISO 4413 to determine appropriate material type.																																			
Valve Pattern																																			
D05	ISO 4401-05-04 NFPA T3.5.1-D05 See Tech Information																																		
Product Type																																			
TP	Tapping Plate																																		
No. of Stations																																			
02	02 Stations																																		
Valve Spacing																																			
3	3.25 inch 82.6 mm																																		
5	5.00 inch 127.0 mm																																		
Circuit																																			
AB	A1 common to A2 B1 common to B2																																		

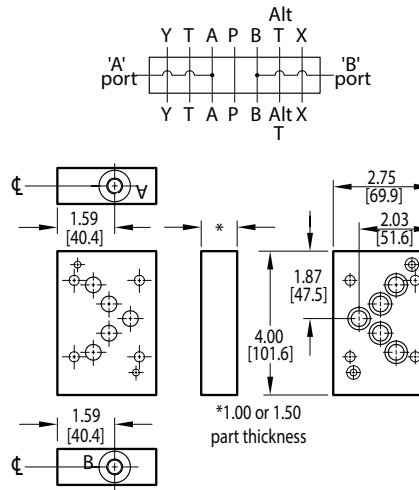
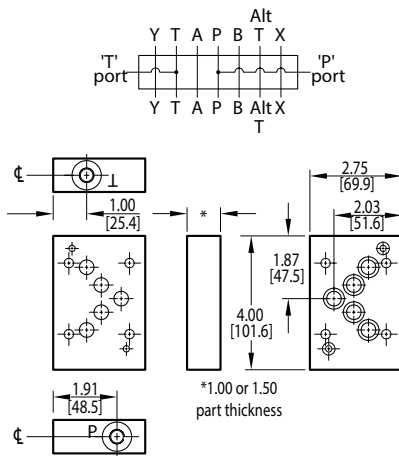
D05 Tapping Plates with USA Pilot Ports

P and T Port Tapping Plate

Tapping Plate hardware / interface seal kit is supplied. See page 180 for itemized list.

A and B Port Tapping Plate

Tapping Plate hardware / interface seal kit is supplied. See page 180 for itemized list.



Specifications, descriptions, and dimensional data are subject to correction or change without notice or incurring obligation. Download latest catalog page revisions at www.daman.com.

Ordering Information

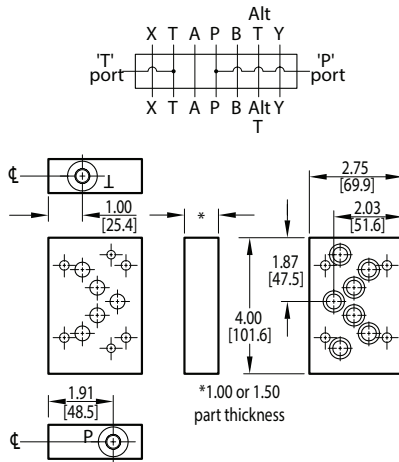
For [coating options](#) see pages 245-246.

Material	Valve Pattern	Product Type	Circuit	Port Threads	Thickness																																								
<table border="1"> <thead> <tr> <th colspan="2">Material</th> </tr> </thead> <tbody> <tr> <td>A</td> <td>Aluminum - 6061-T6 3000[†] psi • 20.7 MPa</td> </tr> <tr> <td>D</td> <td>Ductile Iron - D4512 5000[†] psi • 34.5 MPa</td> </tr> <tr> <td colspan="2"> [†] Working pressure should be considered in accordance with ISO 4413 to determine appropriate material type. </td> </tr> </tbody> </table>	Material		A	Aluminum - 6061-T6 3000 [†] psi • 20.7 MPa	D	Ductile Iron - D4512 5000 [†] psi • 34.5 MPa	[†] Working pressure should be considered in accordance with ISO 4413 to determine appropriate material type.		<table border="1"> <thead> <tr> <th colspan="2">Valve Pattern</th> </tr> </thead> <tbody> <tr> <td>D05H</td> <td>(USA std) NFFPA T3.5.1-D05 Alt B See Tech Information</td> </tr> </tbody> </table>	Valve Pattern		D05H	(USA std) NFFPA T3.5.1-D05 Alt B See Tech Information	<table border="1"> <thead> <tr> <th colspan="2">Product Type</th> </tr> </thead> <tbody> <tr> <td>TP</td> <td>Tapping Plate</td> </tr> </tbody> </table>	Product Type		TP	Tapping Plate	<table border="1"> <thead> <tr> <th colspan="2">Circuit</th> </tr> </thead> <tbody> <tr> <td>PT</td> <td>P and T ports provided</td> </tr> <tr> <td>AB</td> <td>A and B ports provided</td> </tr> </tbody> </table>	Circuit		PT	P and T ports provided	AB	A and B ports provided	<table border="1"> <thead> <tr> <th colspan="2">Port Threads</th> </tr> </thead> <tbody> <tr> <td>4P</td> <td>0.25-18 NPTF ANSI B1.20.3</td> </tr> <tr> <td>4S</td> <td>-4 SAE ISO 11926; SAE 1926</td> </tr> <tr> <td>4B</td> <td>0.25-19 BSPP ISO 1179; BS 2779</td> </tr> <tr> <td>4M</td> <td>M10 x 1.0 ISO 6149</td> </tr> <tr> <td>4T</td> <td>0.25-19 BSPT ISO 7; BS 21</td> </tr> </tbody> </table>	Port Threads		4P	0.25-18 NPTF ANSI B1.20.3	4S	-4 SAE ISO 11926; SAE 1926	4B	0.25-19 BSPP ISO 1179; BS 2779	4M	M10 x 1.0 ISO 6149	4T	0.25-19 BSPT ISO 7; BS 21	<table border="1"> <thead> <tr> <th colspan="2">Thickness</th> </tr> </thead> <tbody> <tr> <td>150</td> <td>For 1.5" thickness</td> </tr> <tr> <td colspan="2">OMIT for standard 1" thickness</td> </tr> </tbody> </table>	Thickness		150	For 1.5" thickness	OMIT for standard 1" thickness	
Material																																													
A	Aluminum - 6061-T6 3000 [†] psi • 20.7 MPa																																												
D	Ductile Iron - D4512 5000 [†] psi • 34.5 MPa																																												
[†] Working pressure should be considered in accordance with ISO 4413 to determine appropriate material type.																																													
Valve Pattern																																													
D05H	(USA std) NFFPA T3.5.1-D05 Alt B See Tech Information																																												
Product Type																																													
TP	Tapping Plate																																												
Circuit																																													
PT	P and T ports provided																																												
AB	A and B ports provided																																												
Port Threads																																													
4P	0.25-18 NPTF ANSI B1.20.3																																												
4S	-4 SAE ISO 11926; SAE 1926																																												
4B	0.25-19 BSPP ISO 1179; BS 2779																																												
4M	M10 x 1.0 ISO 6149																																												
4T	0.25-19 BSPT ISO 7; BS 21																																												
Thickness																																													
150	For 1.5" thickness																																												
OMIT for standard 1" thickness																																													

D05 Tapping Plates with ISO Pilot Ports

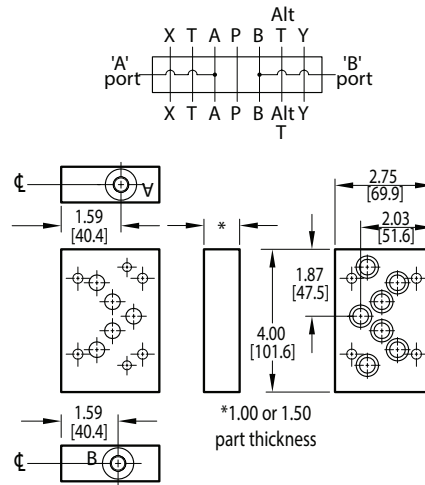
P and T Port Tapping Plate

Tapping Plate hardware / interface seal kit is supplied. See page 180 for itemized list.



A and B Port Tapping Plate

Tapping Plate hardware / interface seal kit is supplied. See page 180 for itemized list.



Specifications, descriptions, and dimensional data are subject to correction or change without notice or incurring obligation. Download latest catalog page revisions at www.daman.com.

Ordering Information

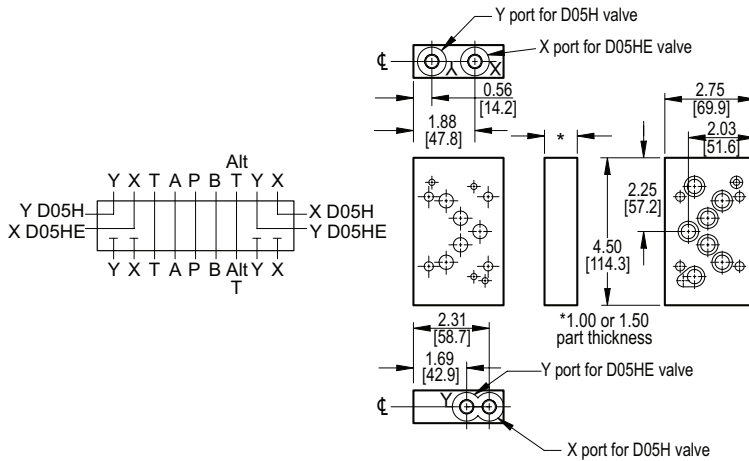
For **coating options** see pages 245-246.

Material	Valve Pattern	Product Type	Circuit	Port Threads	Thickness																																								
<table border="1"> <thead> <tr> <th colspan="2">Material</th> </tr> </thead> <tbody> <tr> <td>A</td> <td>Aluminum - 6061-T6 3000[†] psi • 20.7 MPa</td> </tr> <tr> <td>D</td> <td>Ductile Iron - D4512 5000[†] psi • 34.5 MPa</td> </tr> <tr> <td colspan="2">[†] Working pressure should be considered in accordance with ISO 4413 to determine appropriate material type.</td> </tr> </tbody> </table>	Material		A	Aluminum - 6061-T6 3000 [†] psi • 20.7 MPa	D	Ductile Iron - D4512 5000 [†] psi • 34.5 MPa	[†] Working pressure should be considered in accordance with ISO 4413 to determine appropriate material type.		<table border="1"> <thead> <tr> <th colspan="2">Valve Pattern</th> </tr> </thead> <tbody> <tr> <td>D05HE</td> <td>ISO 4401-05-05 NFPA T3.5.1-D05 Alt A See Tech Information</td> </tr> </tbody> </table>	Valve Pattern		D05HE	ISO 4401-05-05 NFPA T3.5.1-D05 Alt A See Tech Information	<table border="1"> <thead> <tr> <th colspan="2">Product Type</th> </tr> </thead> <tbody> <tr> <td>TP</td> <td>Tapping Plate</td> </tr> </tbody> </table>	Product Type		TP	Tapping Plate	<table border="1"> <thead> <tr> <th colspan="2">Circuit</th> </tr> </thead> <tbody> <tr> <td>PT</td> <td>P and T ports provided</td> </tr> <tr> <td>AB</td> <td>A and B ports provided</td> </tr> </tbody> </table>	Circuit		PT	P and T ports provided	AB	A and B ports provided	<table border="1"> <thead> <tr> <th colspan="2">Port Threads</th> </tr> </thead> <tbody> <tr> <td>4P</td> <td>0.25-18 NPTF ANSI B1.20.3</td> </tr> <tr> <td>4S</td> <td>-4 SAE ISO 11926; SAE 1926</td> </tr> <tr> <td>4B</td> <td>0.25-19 BSPP ISO 1179; BS 2779</td> </tr> <tr> <td>4M</td> <td>M10 x 1.0 ISO 6149</td> </tr> <tr> <td>4T</td> <td>0.25-19 BSPT ISO 7; BS 21</td> </tr> </tbody> </table>	Port Threads		4P	0.25-18 NPTF ANSI B1.20.3	4S	-4 SAE ISO 11926; SAE 1926	4B	0.25-19 BSPP ISO 1179; BS 2779	4M	M10 x 1.0 ISO 6149	4T	0.25-19 BSPT ISO 7; BS 21	<table border="1"> <thead> <tr> <th colspan="2">Thickness</th> </tr> </thead> <tbody> <tr> <td>150</td> <td>For 1.5" thickness</td> </tr> <tr> <td colspan="2">OMIT for standard 1" thickness</td> </tr> </tbody> </table>	Thickness		150	For 1.5" thickness	OMIT for standard 1" thickness	
Material																																													
A	Aluminum - 6061-T6 3000 [†] psi • 20.7 MPa																																												
D	Ductile Iron - D4512 5000 [†] psi • 34.5 MPa																																												
[†] Working pressure should be considered in accordance with ISO 4413 to determine appropriate material type.																																													
Valve Pattern																																													
D05HE	ISO 4401-05-05 NFPA T3.5.1-D05 Alt A See Tech Information																																												
Product Type																																													
TP	Tapping Plate																																												
Circuit																																													
PT	P and T ports provided																																												
AB	A and B ports provided																																												
Port Threads																																													
4P	0.25-18 NPTF ANSI B1.20.3																																												
4S	-4 SAE ISO 11926; SAE 1926																																												
4B	0.25-19 BSPP ISO 1179; BS 2779																																												
4M	M10 x 1.0 ISO 6149																																												
4T	0.25-19 BSPT ISO 7; BS 21																																												
Thickness																																													
150	For 1.5" thickness																																												
OMIT for standard 1" thickness																																													

D05 Tapping Plates with Pilot Ports

X and Y Port Tapping Plate

Tapping Plate hardware / interface seal kit is supplied. See page 180 for itemized list.



Specifications, descriptions, and dimensional data are subject to correction or change without notice or incurring obligation. Download latest catalog page revisions at www.daman.com.

Ordering Information

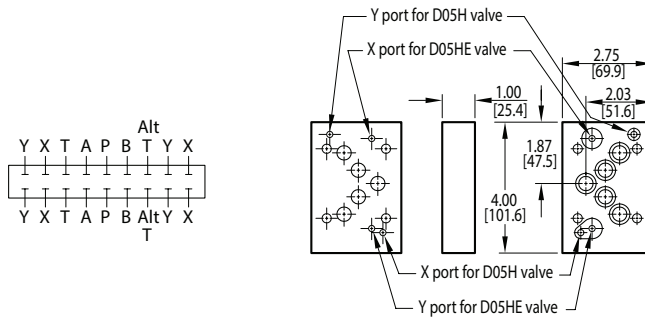
For coating options see pages 245-246.

Material	Valve Pattern	Product Type	Circuit	Port Threads	Thickness																																						
<table border="1"> <thead> <tr> <th colspan="2">Material</th> </tr> </thead> <tbody> <tr> <td>A</td> <td>Aluminum - 6061-T6 3000[†] psi • 20.7 MPa</td> </tr> <tr> <td>D</td> <td>Ductile Iron - D4512 5000[†] psi • 34.5 MPa</td> </tr> <tr> <td colspan="2"> [†] Working pressure should be considered in accordance with ISO 4413 to determine appropriate material type. </td> </tr> </tbody> </table>	Material		A	Aluminum - 6061-T6 3000 [†] psi • 20.7 MPa	D	Ductile Iron - D4512 5000 [†] psi • 34.5 MPa	[†] Working pressure should be considered in accordance with ISO 4413 to determine appropriate material type.		<table border="1"> <thead> <tr> <th colspan="2">Valve Pattern</th> </tr> </thead> <tbody> <tr> <td>D05H</td> <td>ISO 4401-05-05 NFPA T3.5.1-D05 Alt A & B See Technical Information</td> </tr> </tbody> </table>	Valve Pattern		D05H	ISO 4401-05-05 NFPA T3.5.1-D05 Alt A & B See Technical Information	<table border="1"> <thead> <tr> <th colspan="2">Product Type</th> </tr> </thead> <tbody> <tr> <td>TP</td> <td>Tapping Plate</td> </tr> </tbody> </table>	Product Type		TP	Tapping Plate	<table border="1"> <thead> <tr> <th colspan="2">Circuit</th> </tr> </thead> <tbody> <tr> <td>XY</td> <td>X and Y ports provided</td> </tr> </tbody> </table>	Circuit		XY	X and Y ports provided	<table border="1"> <thead> <tr> <th colspan="2">Port Threads</th> </tr> </thead> <tbody> <tr> <td>4P</td> <td>0.25-18 NPTF ANSI B1.20.3</td> </tr> <tr> <td>4S</td> <td>-4 SAE ISO 11926; SAE 1926</td> </tr> <tr> <td>4B</td> <td>0.25-19 BSPP ISO 1179; BS 2779</td> </tr> <tr> <td>4M</td> <td>M10 x 1.0 ISO 6149</td> </tr> <tr> <td>4T</td> <td>0.25-19 BSPT ISO 7; BS 21</td> </tr> </tbody> </table>	Port Threads		4P	0.25-18 NPTF ANSI B1.20.3	4S	-4 SAE ISO 11926; SAE 1926	4B	0.25-19 BSPP ISO 1179; BS 2779	4M	M10 x 1.0 ISO 6149	4T	0.25-19 BSPT ISO 7; BS 21	<table border="1"> <thead> <tr> <th colspan="2">Thickness</th> </tr> </thead> <tbody> <tr> <td>150</td> <td>For 1.5" thickness</td> </tr> <tr> <td colspan="2">OMIT for standard 1" thickness</td> </tr> </tbody> </table>	Thickness		150	For 1.5" thickness	OMIT for standard 1" thickness	
Material																																											
A	Aluminum - 6061-T6 3000 [†] psi • 20.7 MPa																																										
D	Ductile Iron - D4512 5000 [†] psi • 34.5 MPa																																										
[†] Working pressure should be considered in accordance with ISO 4413 to determine appropriate material type.																																											
Valve Pattern																																											
D05H	ISO 4401-05-05 NFPA T3.5.1-D05 Alt A & B See Technical Information																																										
Product Type																																											
TP	Tapping Plate																																										
Circuit																																											
XY	X and Y ports provided																																										
Port Threads																																											
4P	0.25-18 NPTF ANSI B1.20.3																																										
4S	-4 SAE ISO 11926; SAE 1926																																										
4B	0.25-19 BSPP ISO 1179; BS 2779																																										
4M	M10 x 1.0 ISO 6149																																										
4T	0.25-19 BSPT ISO 7; BS 21																																										
Thickness																																											
150	For 1.5" thickness																																										
OMIT for standard 1" thickness																																											

D05 Tapping Plates with Pilot Ports

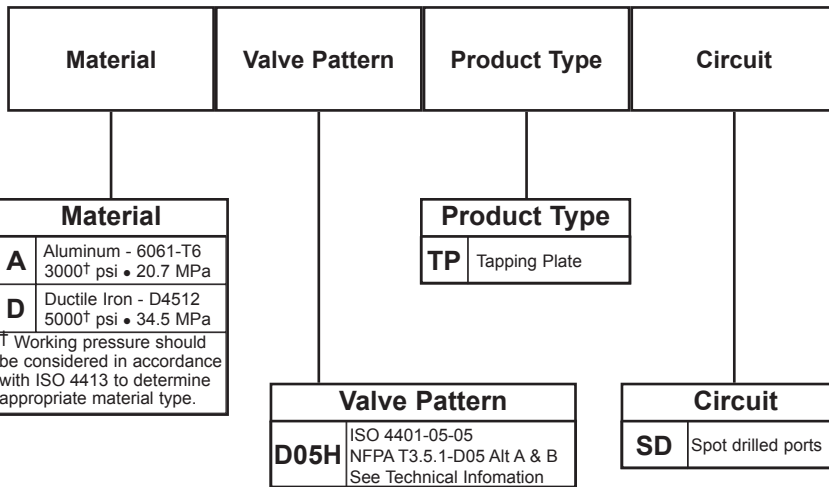
Spot Drilled Tapping Plate

Tapping Plate interface seal kit is supplied.
See page 180 for itemized list.



Specifications, descriptions, and dimensional data are subject to correction or change without notice or incurring obligation. Download latest catalog page revisions at www.daman.com.

Ordering Information

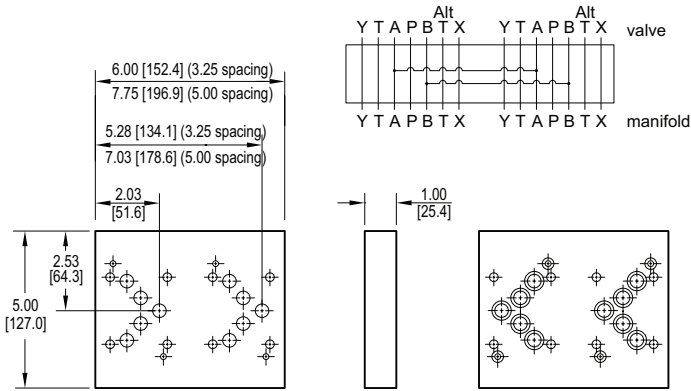


For **coating options** see pages 245-246.

D05 Tapping Plates with Pilot Ports

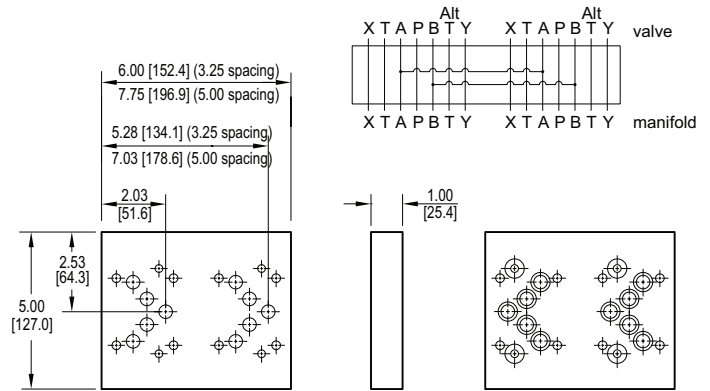
D05(H) Two Station Tapping Plate (USA Pilot Ports) A₁ common to A₂, B₁ common to B₂

Tapping Plate interface seal kit is supplied.
See page 180 for itemized list.



D05(HE) Two Station Tapping Plate (ISO Pilot Ports) A₁ common to A₂, B₁ common to B₂

Tapping Plate interface seal kit is supplied.
See page 180 for itemized list.



Specifications, descriptions, and dimensional data are subject to correction or change without notice or incurring obligation. Download latest catalog page revisions at www.daman.com.

Ordering Information

For coating options see pages 245-246.

Material	Valve Pattern	Product Type	No. of Stations	Valve Spacing	Circuit																																
<table border="1"> <thead> <tr> <th colspan="2">Material</th> </tr> </thead> <tbody> <tr> <td>A</td> <td>Aluminum - 6061-T6 3000[†] psi • 20.7 MPa</td> </tr> <tr> <td>D</td> <td>Ductile Iron - D4512 5000[†] psi • 34.5 MPa</td> </tr> <tr> <td colspan="2"> [†] Working pressure should be considered in accordance with ISO 4413 to determine appropriate material type. </td> </tr> </tbody> </table>	Material		A	Aluminum - 6061-T6 3000 [†] psi • 20.7 MPa	D	Ductile Iron - D4512 5000 [†] psi • 34.5 MPa	[†] Working pressure should be considered in accordance with ISO 4413 to determine appropriate material type.		<table border="1"> <thead> <tr> <th colspan="2">Valve Pattern</th> </tr> </thead> <tbody> <tr> <td>D05H</td> <td>(USA std) NFPA T3.5.1-D05 Alt B See Tech Information</td> </tr> <tr> <td>D05HE</td> <td>ISO 4401-05-05 NFPA T3.5.1-D05 Alt A See Tech Information</td> </tr> </tbody> </table>	Valve Pattern		D05H	(USA std) NFPA T3.5.1-D05 Alt B See Tech Information	D05HE	ISO 4401-05-05 NFPA T3.5.1-D05 Alt A See Tech Information	<table border="1"> <thead> <tr> <th colspan="2">Product Type</th> </tr> </thead> <tbody> <tr> <td>TP</td> <td>Tapping Plate</td> </tr> </tbody> </table>	Product Type		TP	Tapping Plate	<table border="1"> <thead> <tr> <th colspan="2">No. of Stations</th> </tr> </thead> <tbody> <tr> <td>02</td> <td>02 Stations</td> </tr> </tbody> </table>	No. of Stations		02	02 Stations	<table border="1"> <thead> <tr> <th colspan="2">Valve Spacing</th> </tr> </thead> <tbody> <tr> <td>3</td> <td>3.25 inch 82.6 mm</td> </tr> <tr> <td>5</td> <td>5.00 inch 127.0 mm</td> </tr> </tbody> </table>	Valve Spacing		3	3.25 inch 82.6 mm	5	5.00 inch 127.0 mm	<table border="1"> <thead> <tr> <th colspan="2">Circuit</th> </tr> </thead> <tbody> <tr> <td>AB</td> <td>A₁ common to A₂ B₁ common to B₂</td> </tr> </tbody> </table>	Circuit		AB	A ₁ common to A ₂ B ₁ common to B ₂
Material																																					
A	Aluminum - 6061-T6 3000 [†] psi • 20.7 MPa																																				
D	Ductile Iron - D4512 5000 [†] psi • 34.5 MPa																																				
[†] Working pressure should be considered in accordance with ISO 4413 to determine appropriate material type.																																					
Valve Pattern																																					
D05H	(USA std) NFPA T3.5.1-D05 Alt B See Tech Information																																				
D05HE	ISO 4401-05-05 NFPA T3.5.1-D05 Alt A See Tech Information																																				
Product Type																																					
TP	Tapping Plate																																				
No. of Stations																																					
02	02 Stations																																				
Valve Spacing																																					
3	3.25 inch 82.6 mm																																				
5	5.00 inch 127.0 mm																																				
Circuit																																					
AB	A ₁ common to A ₂ B ₁ common to B ₂																																				